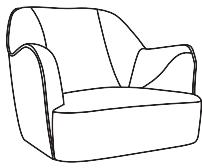


# Daniella Accent Chair

Part # CHR-DANIELLA XX+XX

18-0730

**PARTS**



A



B



C



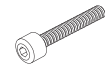
(x2)

D



(x8)

E



(M8x35mm)

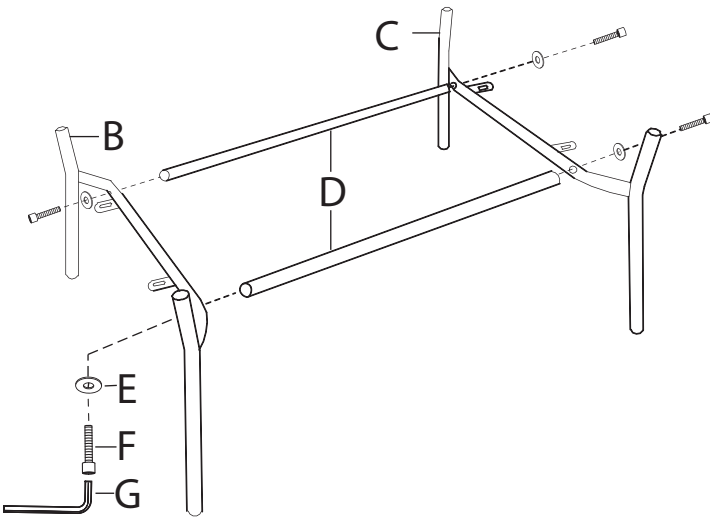
(x8)

F

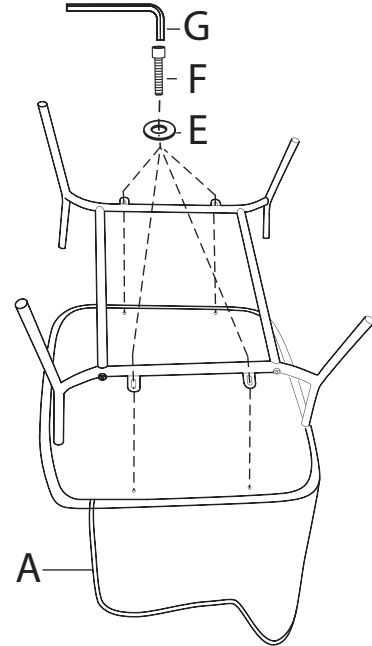


G

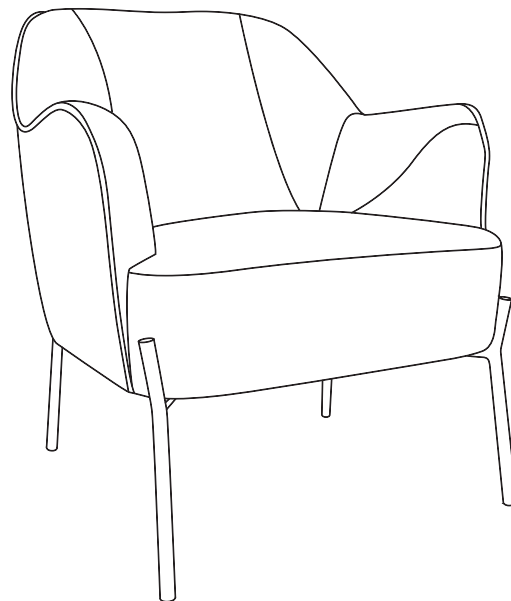
**1**



**2**



**3**



Do not over tighten.  
 Do not use power tools to assemble.